

2646 WALK-IN BATHTUB

26" x 46"

Key Attributes

Walk-in Type: Walk-in
 Material: Gel Coat
 Soaker Weight: 140 lbs
 Jetted Weight: 170 lbs
 Average Fill Capacity*: 40-50 gal
 *Estimated with occupant inside. May vary based on occupant's volume.

Required Electrical

Air Bath or Whirlpool..... 1x 15 amp GFCI
 Whirlpool w/ Inline Heater..... 1x 20 amp GFCI
 Whirlpool & Air Jetted..... 1x 20 amp GFCI
 Soaker..... n/a

Service 110v

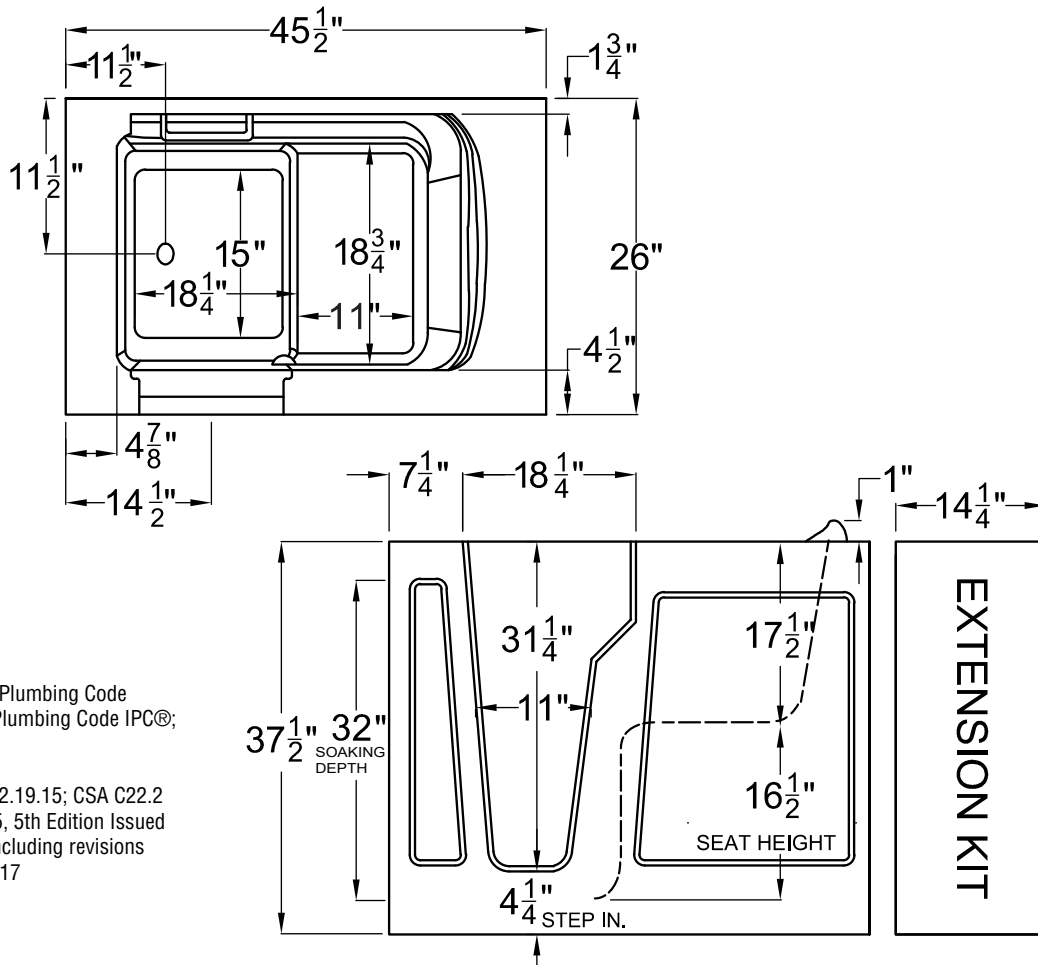
Available Therapy Systems

2646**S Non-Jetted Soaking
 2646**H Whirlpool Jetted
 2646**A Air Jetted
 2646**D Whirlpool & Air Jetted

Key Measurements (inches)

Overall Outer: 45.5 x 26 x 37.5
 Interior Width: 20
 Standing Area: 18.375 x 15
 Seat Width: 18.75
 Seat Height: 16.5
 Soaking Depth: 32
 Drain to Side Wall: 11.5
 Drain to Back Wall: 11.5
 Step-in Height: 6.25
 Door Clearance: 11.5
 Faucet Deck: 4.75
 Tile Flange: n/a
 Extension Kit: 14

It is vital that tub is completely level with all leveling feet touching the floor for the door, seal and drain to work properly.



Compliance: Uniform Plumbing Code
 UPC®;; International Plumbing Code IPC®;
 ADA

Standards: ASME A112.19.15; CSA C22.2
 No. 218.2-15; UL 1795, 5th Edition Issued
 September 02, 2016 including revisions
 through August 25, 2017

Certified: UPC, EGS

- **IMPORTANT!** TEST THE TUB'S DRAIN AND JETS (if any) BEFORE PERMANENT INSTALLATION!
- **INSPECT THE TUB WHEN RECEIVED!** Report any damages or missing parts within 5 business days of delivery date.
- Before ordering or installing, please consider future access to equipment.
- **Please measure tub on-site before building tub surrounding!**
- Jet, pump & blower locations are predetermined and cannot be changed.
- Tub door must remain closed when not in use.

- Please note that installer(s) must be certified or warranty will be voided.
- Measurements are subject to a +/- .5" variance and subject to change without notice. Measurements here in supersede all other published specs prior to publication date shown below.
- Inline heater (if included) is designed to maintain water temperature during operation. It will not heat cold water to desired bathing temperature.
- Product must be registered for warranty activation. See user manual or visit SWCORP.com/register for more information.

2653 WALK-IN BATHTUB 26" x 53"

Key Attributes

Walk-in Type: Walk-in
 Material: Gel Coat
 Soaker Weight: 120 lbs
 Jetted Weight: 150 lbs
 Average Fill Capacity*: 50-60 gal
 *Estimated with occupant inside. May vary based on occupant's volume.

Required Electrical

Air Bath or Whirlpool..... 1x 15 amp GFCI
 Whirlpool w/ Inline Heater..... 1x 20 amp GFCI
 Whirlpool & Air Jetted..... 1x 20 amp GFCI
 Soaker..... n/a

Service 110v

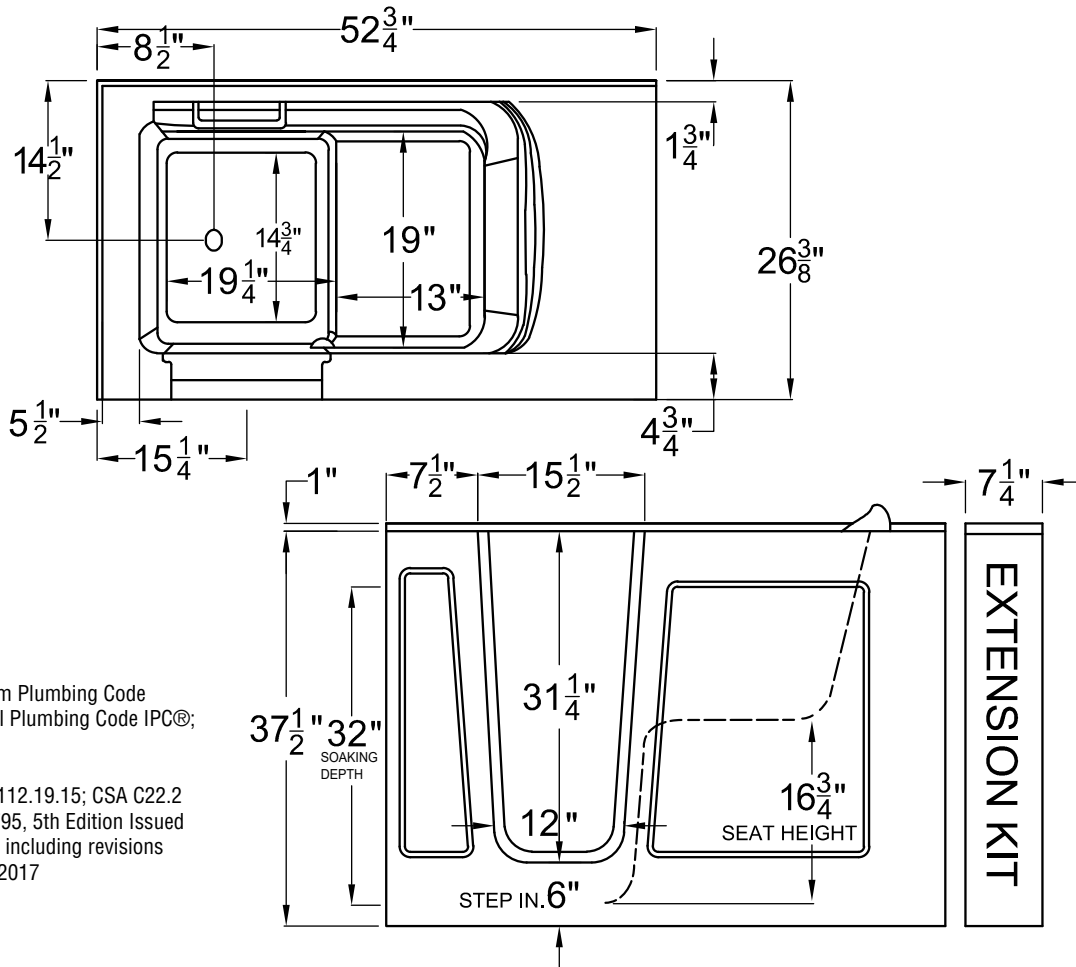
Available Therapy Systems

2653**S Non-Jetted Soaking
 2653**H Whirlpool Jetted
 2653**A Air Jetted
 2653**D Whirlpool & Air Jetted

Key Measurements (inches)

Overall Outer: 52.75 x 26.375 x 37.5
 Interior Width: 19.875
 Standing Area: 19.25 x 14.75
 Seat Width: 19
 Seat Height: 13.75
 Soaking Depth: 32
 Drain to Side Wall: 8.5
 Drain to Back Wall: 14.5
 Step-in Height: 6
 Door Clearance: 10.5
 Faucet Deck: 5.5
 Tile Flange: 1
 Extension Kit: 7

It is vital that tub is completely level with all leveling feet touching the floor for the door, seal and drain to work properly.



Compliance: Uniform Plumbing Code
 UPC®; International Plumbing Code IPC®;
 ADA

Standards: ASME A112.19.15; CSA C22.2
 No. 218.2-15; UL 1795, 5th Edition Issued
 September 02, 2016 including revisions
 through August 25, 2017

Certified: UPC, EGS

- **IMPORTANT!** TEST THE TUB'S DRAIN AND JETS (if any) BEFORE PERMANENT INSTALLATION!
- **INSPECT THE TUB WHEN RECEIVED!** Report any damages or missing parts within 5 business days of delivery date.
- Before ordering or installing, please consider future access to equipment.
- **Please measure tub on-site before building tub surrounding!**
- Jet, pump & blower locations are predetermined and cannot be changed.
- Tub door must remain closed when not in use.
- Please note that installer(s) must be certified or warranty will be voided.
- Measurements are subject to a +/- .5" variance and subject to change without notice. Measurements here in supersede all other published specs prior to publication date shown below.
- Inline heater (if included) is designed to maintain water temperature during operation. It will not heat cold water to desired bathing temperature.
- Product must be registered for warranty activation. See user manual or visit SWCORP.com/register for more information.

2739 WALK-IN BATHTUB

27" x 39"

Key Attributes

Walk-in Type: Walk-in
 Material: Acrylic
 Soaker Weight: 140 lbs
 Jetted Weight: 180 lbs
 Average Fill Capacity*: 40-50 gal
 *Estimated with occupant inside. May vary based on occupant's volume.

Required Electrical

Air Bath or Whirlpool..... 1x 15 amp GFCI
 Whirlpool w/ Inline Heater..... 1x 20 amp GFCI
 Whirlpool & Air Jetted..... 1x 20 amp GFCI
 Soaker..... n/a

Service 110v

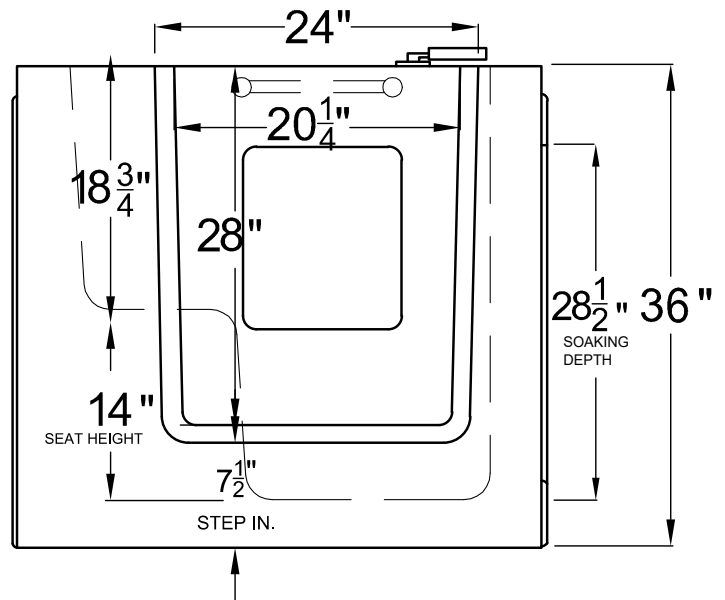
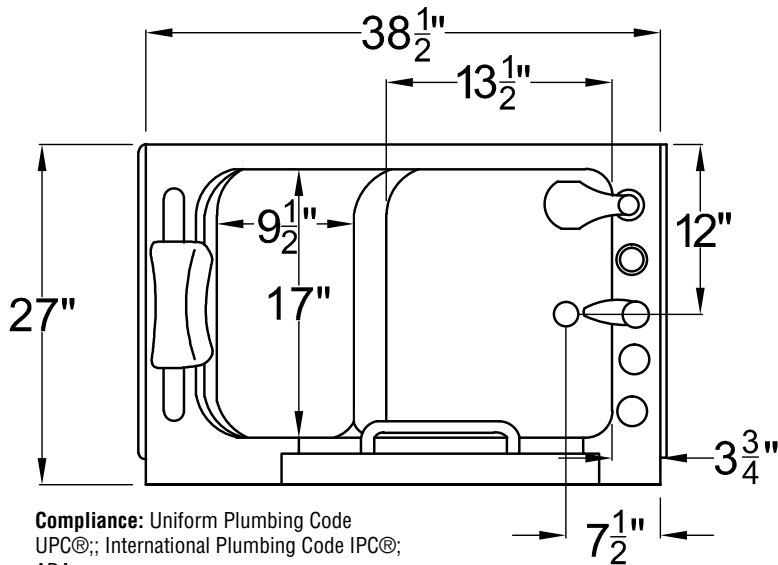
Available Therapy Systems

2739**S Non-Jetted Soaking
 2739**H Whirlpool Jetted
 2739**A Air Jetted
 2739**D Whirlpool & Air Jetted

Key Measurements (inches)

Overall Outer: 38.5 x 27 x 36
 Interior Width: 17
 Standing Area: 17 x 13.5
 Seat Width: 17
 Seat Height: 14
 Soaking Depth: 28.5
 Drain to Side Wall: 7.5
 Drain to Back Wall: 12
 Step-in Height: 7.5
 Door Clearance: n/a
 Faucet Deck: 3.75
 Tile Flange: n/a
 Extension Kit: n/a

It is vital that tub is completely level with all leveling feet touching the floor for the door, seal and drain to work properly.



Compliance: Uniform Plumbing Code
 UPC®;; International Plumbing Code IPC®;
 ADA

Standards: ASME A112.19.15; CSA C22.2
 No. 218.2-15; UL 1795, 5th Edition Issued
 September 02, 2016 including revisions
 through August 25, 2017

Certifeid: UPC,EGS

- **IMPORTANT!** TEST THE TUB'S DRAIN AND JETS (if any) BEFORE PERMANENT INSTALLATION!
- **INSPECT THE TUB WHEN RECEIVED!** Report any damages or missing parts within 5 business days of delivery date.
- Before ordering or installing, please consider future access to equipment.
- **Please measure tub on-site before building tub surrounding!**
- Jet, pump & blower locations are predetermined and cannot be changed.
- Tub door must remain closed when not in use.

- Please note that installer(s) must be certified or warranty will be voided.
- Measurements are subject to a +/- .5" variance and subject to change without notice. Measurements here in supersede all other published specs prior to publication date shown below.
- Inline heater (if included) is designed to maintain water temperature during operation. It will not heat cold water to desired bathing temperature.
- Product must be registered for warranty activation. See user manual or visit SWCORP.com/register for more information.

2747 WALK-IN BATHTUB 27" x 47"

Key Attributes

Walk-in Type: Walk-in
 Material: Acrylic
 Soaker Weight: 160 lbs
 Jetted Weight: 200 lbs
 Average Fill Capacity*: 40-50 gal
 *Estimated with occupant inside. May vary based on occupant's volume.

Required Electrical

Service 110v

Air Bath or Whirlpool..... 1x 15 amp GFCI
 Whirlpool w/ Inline Heater..... 1x 20 amp GFCI
 Whirlpool & Air Jetted..... 1x 20 amp GFCI
 Soaker..... n/a

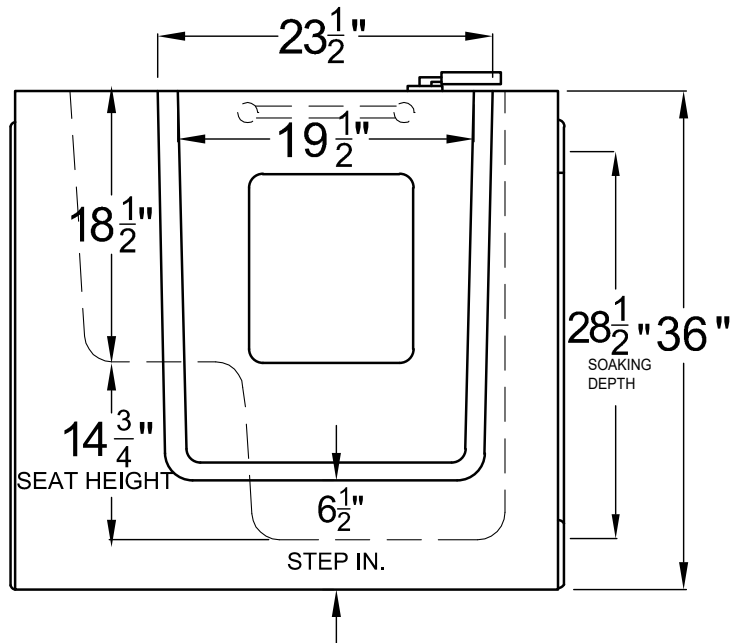
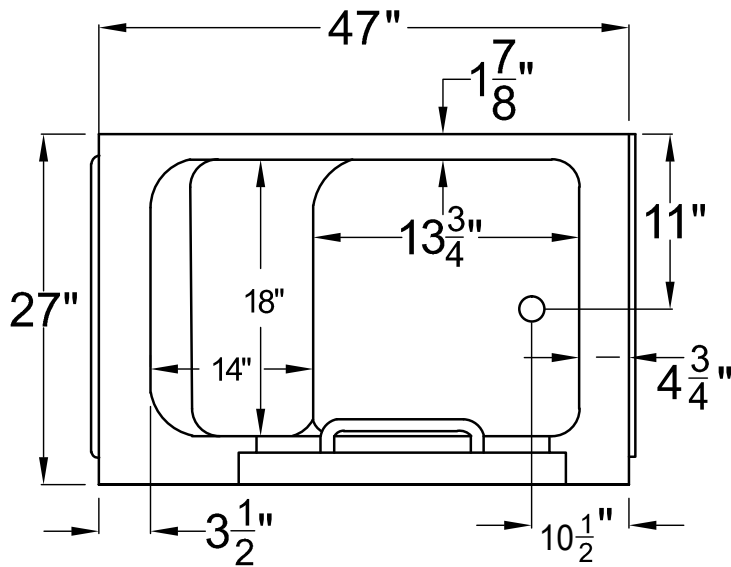
Available Therapy Systems

2747**S Non-Jetted Soaking
 2747**H Whirlpool Jetted
 2747**A Air Jetted
 2747**D Whirlpool & Air Jetted

Key Measurements (inches)

Overall Outer: 47 x 27 x 36
 Interior Width: 21
 Standing Area: 19 x 13.75
 Seat Width: 18
 Seat Height: 14.75
 Soaking Depth: 28.5
 Drain to Side Wall: 11
 Drain to Back Wall: 11
 Step-in Height: 6.5
 Door Clearance: n/a
 Faucet Deck: 4.75
 Tile Flange: n/a
 Extension Kit: n/a

It is vital that tub is completely level with all leveling feet touching the floor for the door, seal and drain to work properly.



Compliance: Uniform Plumbing Code UPC®; International Plumbing Code IPC®; ADA

Standards: ASME A112.19.15; CSA C22.2 No. 218.2-15; UL 1795, 5th Edition Issued September 02, 2016 including revisions through August 25, 2017

Certifeid: UPC, EGS

- **IMPORTANT!** TEST THE TUB'S DRAIN AND JETS (if any) BEFORE PERMANENT INSTALLATION!
- **INSPECT THE TUB WHEN RECEIVED!** Report any damages or missing parts within 5 business days of delivery date.
- Before ordering or installing, please consider future access to equipment.
- **Please measure tub on-site before building tub surrounding!**
- Jet, pump & blower locations are predetermined and cannot be changed.
- Tub door must remain closed when not in use.

- Please note that installer(s) must be certified or warranty will be voided.
- Measurements are subject to a +/- .5" variance and subject to change without notice. Measurements here in supersede all other published specs prior to publication date shown below.
- Inline heater (if included) is designed to maintain water temperature during operation. It will not heat cold water to desired bathing temperature.
- Product must be registered for warranty activation. See user manual or visit SWCORP.com/register for more information.

2952 WALK-IN BATHTUB 29" x 52"

Key Attributes

Walk-in Type: Walk-in
 Material: Gel Coat
 Soaker Weight: 150 lbs
 Jetted Weight: 180 lbs
 Average Fill Capacity*: 50-60 gal
 *Estimated with occupant inside. May vary based on occupant's volume.

Required Electrical

Air Bath or Whirlpool..... 1x 15 amp GFCI
 Whirlpool w/ Inline Heater..... 1x 20 amp GFCI
 Whirlpool & Air Jetted..... 1x 20 amp GFCI
 Soaker..... n/a

Service 110v

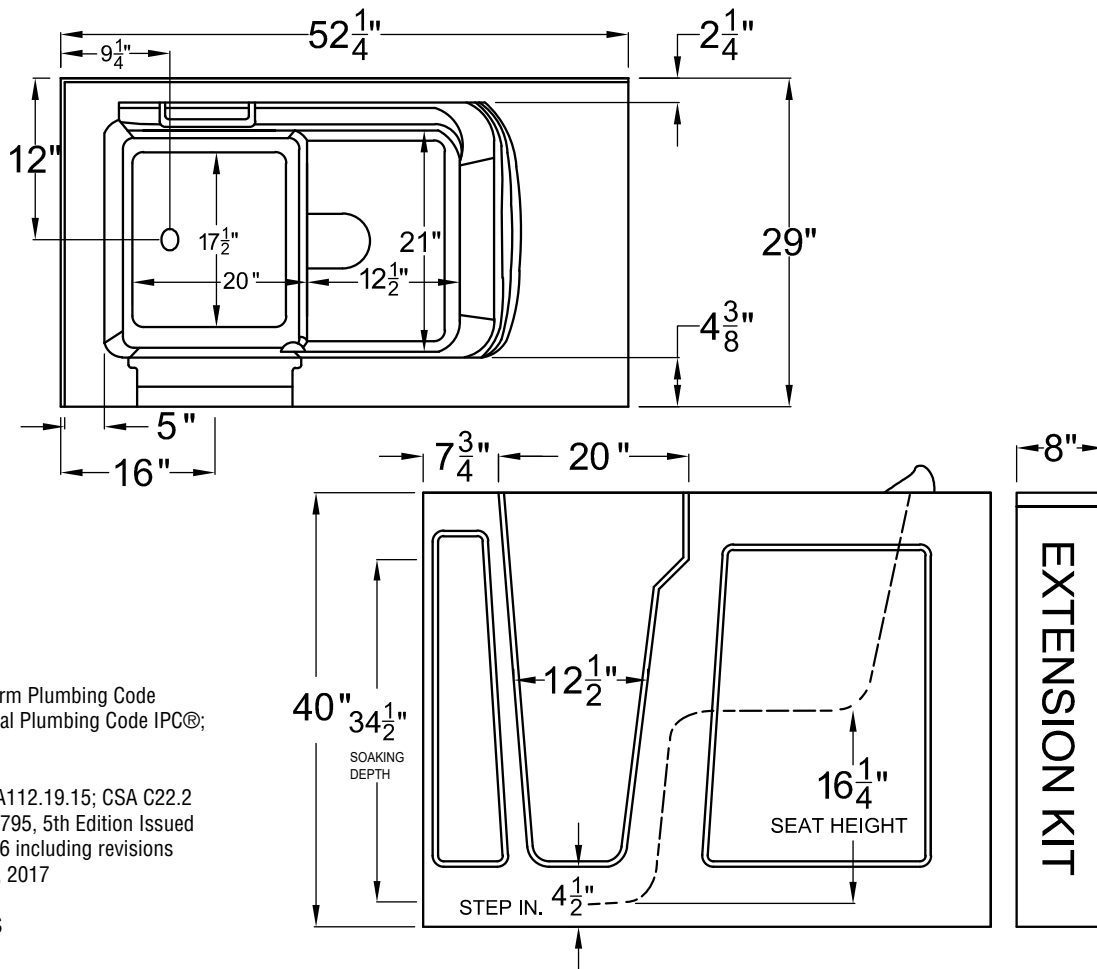
Available Therapy Systems

2952**S Non-Jetted Soaking
 2952**H Whirlpool Jetted
 2952**A Air Jetted
 2952**D Whirlpool & Air Jetted

Key Measurements (inches)

Overall Outer: 52.25 x 29 x 40
 Interior Width: 22.375
 Standing Area: 20 x 17.5
 Seat Width: 21
 Seat Height: 16.25
 Soaking Depth: 34.5
 Drain to Side Wall: 9.25
 Drain to Back Wall: 12
 Step-in Height: 6.25
 Door Clearance: 12.5
 Faucet Deck: 5
 Tile Flange: 1
 Extension Kit: 8

It is vital that tub is completely level with all leveling feet touching the floor for the door, seal and drain to work properly.



Compliance: Uniform Plumbing Code
 UPC®;; International Plumbing Code IPC®;
 ADA

Standards: ASME A112.19.15; CSA C22.2
 No. 218.2-15; UL 1795, 5th Edition Issued
 September 02, 2016 including revisions
 through August 25, 2017

Certified: UPC, EGS

- **IMPORTANT!** TEST THE TUB'S DRAIN AND JETS (if any) BEFORE PERMANENT INSTALLATION!
- **INSPECT THE TUB WHEN RECEIVED!** Report any damages or missing parts within 5 business days of delivery date.
- Before ordering or installing, please consider future access to equipment.
- **Please measure tub on-site before building tub surrounding!**
- Jet, pump & blower locations are predetermined and cannot be changed.
- Tub door must remain closed when not in use.

- Please note that installer(s) must be certified or warranty will be voided.
- Measurements are subject to a +/- .5" variance and subject to change without notice. Measurements here in supersede all other published specs prior to publication date shown below.
- Inline heater (if included) is designed to maintain water temperature during operation. It will not heat cold water to desired bathing temperature.
- Product must be registered for warranty activation. See user manual or visit SWCORP.com/register for more information.

2953 WHEELCHAIR ACCESS 29" x 53"

Key Attributes

Walk-in Type: Wheelchair Accessible
 Material: Gel Coat
 Soaker Weight: 160 lbs
 Jetted Weight: 200 lbs
 Average Fill Capacity*: 70-80 gal
 *Estimated with occupant inside. May vary based on occupant's volume.

Required Electrical

Service 110v

Air Bath or Whirlpool..... 1x 15 amp GFCI
 Whirlpool w/ Inline Heater..... 1x 20 amp GFCI
 Whirlpool & Air Jetted..... 1x 20 amp GFCI
 Soaker..... n/a

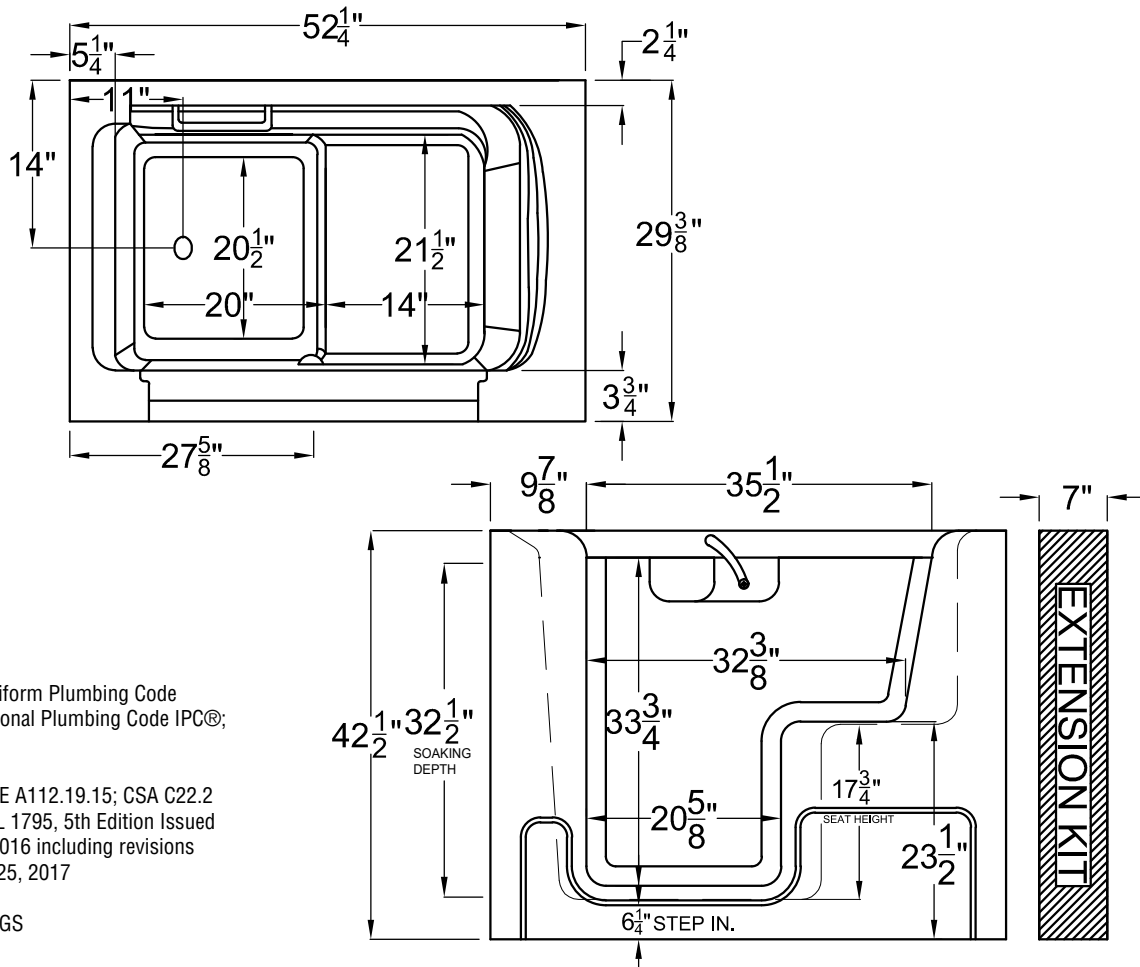
Available Therapy Systems

2953WCA**S Non-Jetted Soaking
 2953WCA**H..... Whirlpool Jetted
 2953WCA**A Air Jetted
 2953WCA**D..... Whirlpool & Air Jetted

Key Measurements (inches)

Overall Outer: 52.25 x 29.375 x 42.5
 Interior Width: 23.375
 Standing Area: 20.5 x 20
 Seat Width: 21.5
 Seat Height: 17.34
 Soaking Depth: 32.5
 Drain to Side Wall: 11
 Drain to Back Wall: 14
 Step-in Height: 6.25
 Door Clearance: n/a
 Faucet Deck: 5.5
 Tile Flange: 1
 Extension Kit: 7

It is vital that tub is completely level with all leveling feet touching the floor for the door, seal and drain to work properly.



Compliance: Uniform Plumbing Code
 UPC®;; International Plumbing Code IPC®;
 ADA

Standards: ASME A112.19.15; CSA C22.2
 No. 218.2-15; UL 1795, 5th Edition Issued
 September 02, 2016 including revisions
 through August 25, 2017

Certified: UPC, EGS

- **IMPORTANT!** TEST THE TUB'S DRAIN AND JETS (if any) BEFORE PERMANENT INSTALLATION!
- **INSPECT THE TUB WHEN RECEIVED!** Report any damages or missing parts within 5 business days of delivery date.
- Before ordering or installing, please consider future access to equipment.
- **Please measure tub on-site before building tub surrounding!**
- Jet, pump & blower locations are predetermined and cannot be changed.
- Tub door must remain closed when not in use.
- Please note that installer(s) must be certified or warranty will be voided.
- Measurements are subject to a +/- .5" variance and subject to change without notice. Measurements here in supersede all other published specs prior to publication date shown below.
- Inline heater (if included) is designed to maintain water temperature during operation. It will not heat cold water to desired bathing temperature.
- Product must be registered for warranty activation. See user manual or visit SWCORP.com/register for more information.

3053 WALK-IN BATHTUB 30" x 53"

Key Attributes

Walk-in Type: Walk-in
 Material: Gel Coat
 Soaker Weight: 120 lbs
 Jetted Weight: 155 lbs
 Average Fill Capacity*: 50-60 gal
 *Estimated with occupant inside. May vary based on occupant's volume.

Required Electrical

Service 110v

Air Bath or Whirlpool..... 1x 15 amp GFCI
 Whirlpool w/ Inline Heater..... 1x 20 amp GFCI
 Whirlpool & Air Jetted..... 1x 20 amp GFCI
 Soaker..... n/a

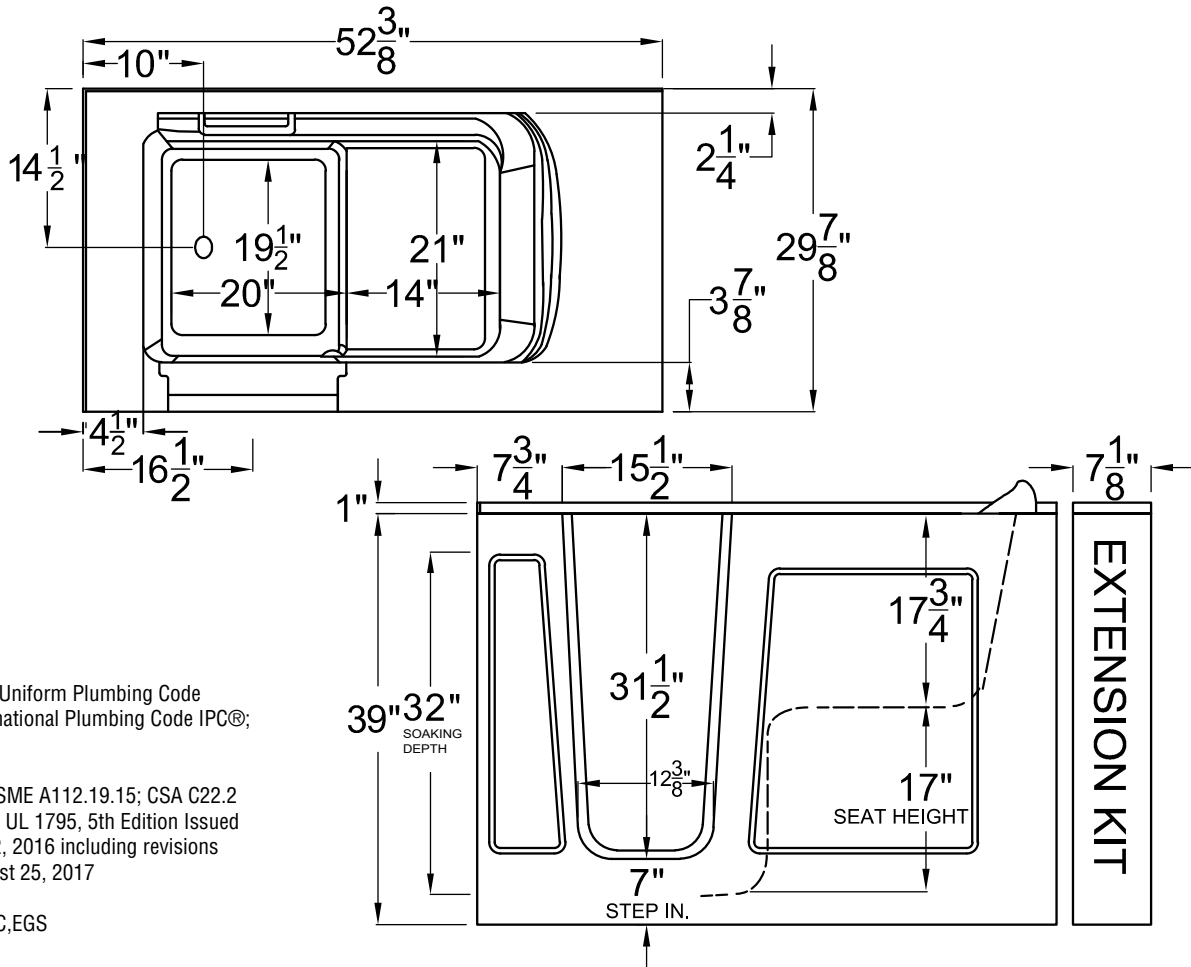
Available Therapy Systems

3053**S Non-Jetted Soaking
 3053**H Whirlpool Jetted
 3053**A Air Jetted
 3053**D Whirlpool & Air Jetted

Key Measurements (inches)

Overall Outer: 52.375 x 29.875 x 39
 Interior Width: 23.75
 Standing Area: 20 x 19.5
 Seat Width: 21
 Seat Height: 17
 Soaking Depth: 32
 Drain to Side Wall: 10
 Drain to Back Wall: 14.5
 Step-in Height: 7
 Door Clearance: 13
 Faucet Deck: 4.5
 Tile Flange: 1
 Extension Kit: 7

It is vital that tub is completely level with all leveling feet touching the floor for the door, seal and drain to work properly.



Compliance: Uniform Plumbing Code
 UPC®; International Plumbing Code IPC®;
 ADA

Standards: ASME A112.19.15; CSA C22.2
 No. 218.2-15; UL 1795, 5th Edition Issued
 September 02, 2016 including revisions
 through August 25, 2017

Certified: UPC, EGS

- **IMPORTANT!** TEST THE TUB'S DRAIN AND JETS (if any) BEFORE PERMANENT INSTALLATION!
- **INSPECT THE TUB WHEN RECEIVED!** Report any damages or missing parts within 5 business days of delivery date.
- Before ordering or installing, please consider future access to equipment.
- **Please measure tub on-site before building tub surrounding!**
- Jet, pump & blower locations are predetermined and cannot be changed.
- Tub door must remain closed when not in use.

- Please note that installer(s) must be certified or warranty will be voided.
- Measurements are subject to a +/- .5" variance and subject to change without notice. Measurements here in supersede all other published specs prior to publication date shown below.
- Inline heater (if included) is designed to maintain water temperature during operation. It will not heat cold water to desired bathing temperature.
- Product must be registered for warranty activation. See user manual or visit SWCORP.com/register for more information.

3054 WALK-IN BATHTUB 30" x 54"

Key Attributes

Walk-in Type: Walk-in
 Material: Acrylic
 Soaker Weight: 120 lbs
 Jetted Weight: 155 lbs
 Average Fill Capacity*: 50-60 gal
 *Estimated with occupant inside. May vary based on occupant's volume.

Required Electrical

Air Bath or Whirlpool..... 1x 15 amp GFCI
 Whirlpool w/ Inline Heater..... 1x 20 amp GFCI
 Whirlpool & Air Jetted..... 1x 20 amp GFCI
 Soaker..... n/a

Service 110v

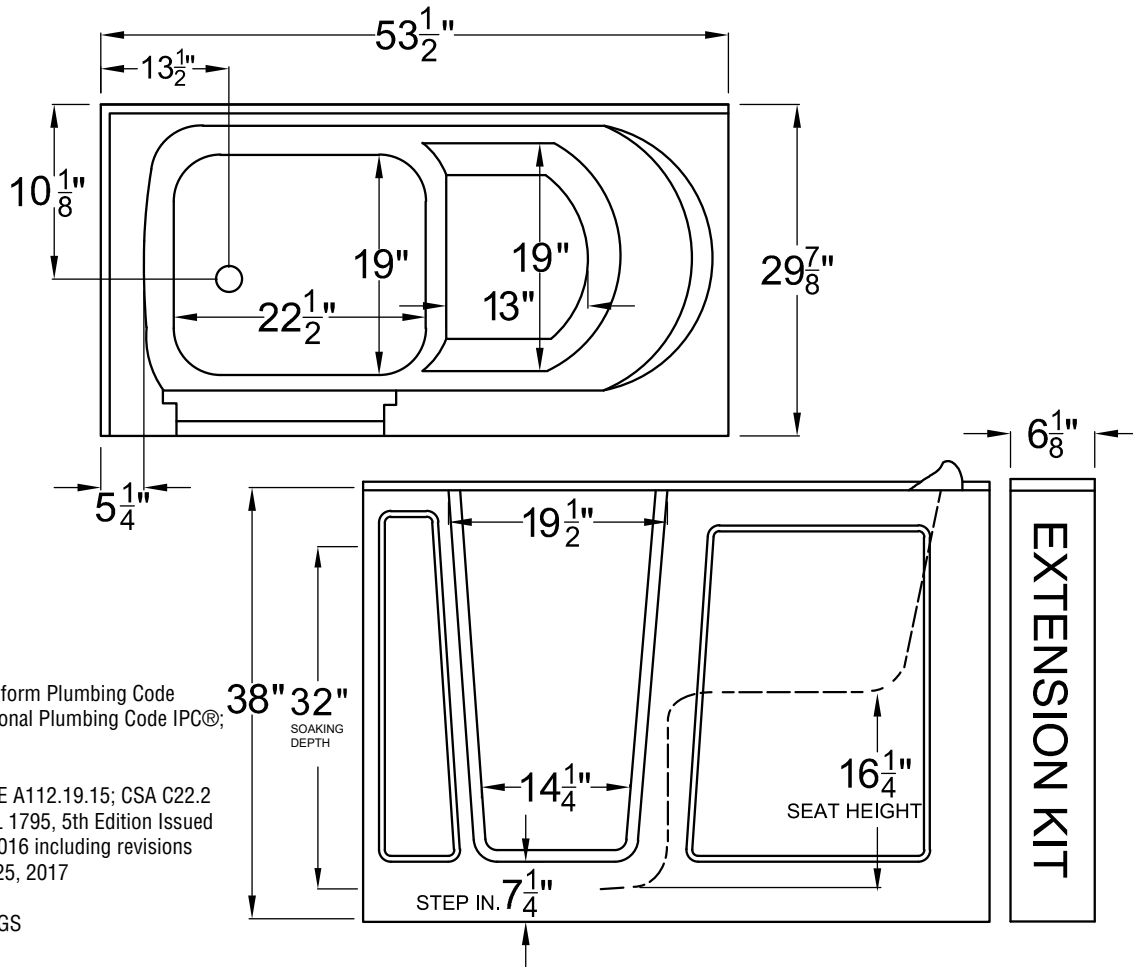
Available Therapy Systems

3054**S Non-Jetted Soaking
 3054**H Whirlpool Jetted
 3054**A Air Jetted
 3054**D Whirlpool & Air Jetted

Key Measurements (inches)

Overall Outer: 53.5 x 29.75 x 38
 Interior Width: 22
 Standing Area: 22.5 x 19
 Seat Width: 19
 Seat Height: 16.25
 Soaking Depth: 32
 Drain to Side Wall: 13.5
 Drain to Back Wall: 10.125
 Step-in Height: 7.25
 Door Clearance: 11.125
 Faucet Deck: 4.375
 Tile Flange: 1
 Extension Kit: 6

It is vital that tub is completely level with all leveling feet touching the floor for the door, seal and drain to work properly.



Compliance: Uniform Plumbing Code
 UPC®;; International Plumbing Code IPC®;
 ADA

Standards: ASME A112.19.15; CSA C22.2
 No. 218.2-15; UL 1795, 5th Edition Issued
 September 02, 2016 including revisions
 through August 25, 2017

Certified: UPC, EGS

- **IMPORTANT!** TEST THE TUB'S DRAIN AND JETS (if any) BEFORE PERMANENT INSTALLATION!
- **INSPECT THE TUB WHEN RECEIVED!** Report any damages or missing parts within 5 business days of delivery date.
- Before ordering or installing, please consider future access to equipment.
- **Please measure tub on-site before building tub surrounding!**
- Jet, pump & blower locations are predetermined and cannot be changed.
- Tub door must remain closed when not in use.
- Please note that installer(s) must be certified or warranty will be voided.
- Measurements are subject to a +/- .5" variance and subject to change without notice. Measurements here in supersede all other published specs prior to publication date shown below.
- Inline heater (if included) is designed to maintain water temperature during operation. It will not heat cold water to desired bathing temperature.
- Product must be registered for warranty activation. See user manual or visit SWCORP.com/register for more information.

3060 STEP-IN BATHTUB 30" x 60"

Key Attributes

Walk-in Type: Step-in
 Material: Acrylic
 Soaker Weight: 120 lbs
 Jetted Weight: 145 lbs
 Average Fill Capacity*: 40-50 gal
 *Estimated with occupant inside. May vary based on occupant's volume.

Required Electrical

Service 110v

Air Bath or Whirlpool..... 1x 15 amp GFCI
 Whirlpool w/ Inline Heater..... 1x 20 amp GFCI
 Whirlpool & Air Jetted..... 1x 20 amp GFCI
 Soaker..... n/a

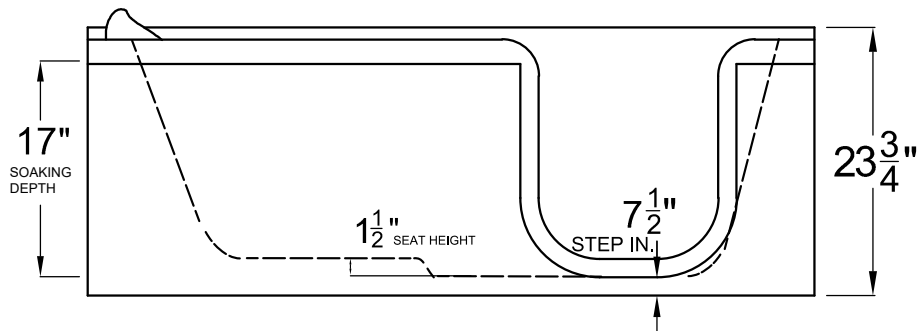
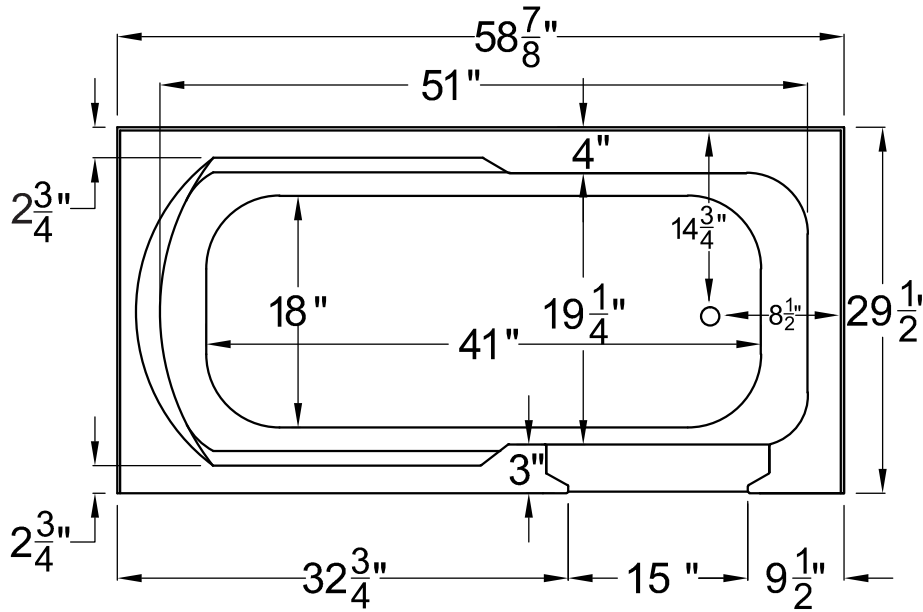
Available Therapy Systems

3060S1**S..... Non-Jetted Soaking
 3060S1**H..... Whirlpool Jetted
 3060S1**A Air Jetted
 3060S1**D..... Whirlpool & Air Jetted

Key Measurements (inches)

Overall Outer: 58.5 x 29.5 x 23.75
 Interior Width: 24.25
 Standing Area: 41 x 16
 Seat Width: 16
 Seat Height: 1.5
 Soaking Depth: 17
 Drain to Side Wall: 8.5
 Drain to Back Wall: 14.75
 Step-in Height: 7.5
 Door Clearance: 11.125
 Faucet Deck: 5
 Tile Flange:..... n/a
 Extension Kit: n/a

It is vital that tub is completely level with all leveling feet touching the floor for the door, seal and drain to work properly.



Compliance: Uniform Plumbing Code
 UPC®;; International Plumbing Code IPC®;
 ADA

Standards: ASME A112.19.15; CSA C22.2
 No. 218.2-15; UL 1795, 5th Edition Issued
 September 02, 2016 including revisions
 through August 25, 2017

Certifeid: UPC,EGS

- **IMPORTANT!** TEST THE TUB'S DRAIN AND JETS (if any) BEFORE PERMANENT INSTALLATION!
- **INSPECT THE TUB WHEN RECEIVED!** Report any damages or missing parts within 5 business days of delivery date.
- Before ordering or installing, please consider future access to equipment.
- **Please measure tub on-site before building tub surrounding!**
- Jet, pump & blower locations are predetermined and cannot be changed.
- Tub door must remain closed when not in use.
- Please note that installer(s) must be certified or warranty will be voided.
- Measurements are subject to a +/- .5" variance and subject to change without notice. Measurements here in supersede all other published specs prior to publication date shown below.
- Inline heater (if included) is designed to maintain water temperature during operation. It will not heat cold water to desired bathing temperature.
- Product must be registered for warranty activation. See user manual or visit SWCORP.com/register for more information.

3060 WALK-IN BATHTUB 30" x 60"

Key Attributes

Walk-in Type: Walk-in
 Material: Gel Coat
 Soaker Weight: 130 lbs
 Jetted Weight: 170 lbs
 Average Fill Capacity*: 60-70 gal
 *Estimated with occupant inside. May vary based on occupant's volume.

Required Electrical

Air Bath or Whirlpool..... 1x 15 amp GFCI
 Whirlpool w/ Inline Heater..... 1x 20 amp GFCI
 Whirlpool & Air Jetted..... 1x 20 amp GFCI
 Soaker..... n/a

Service 110v

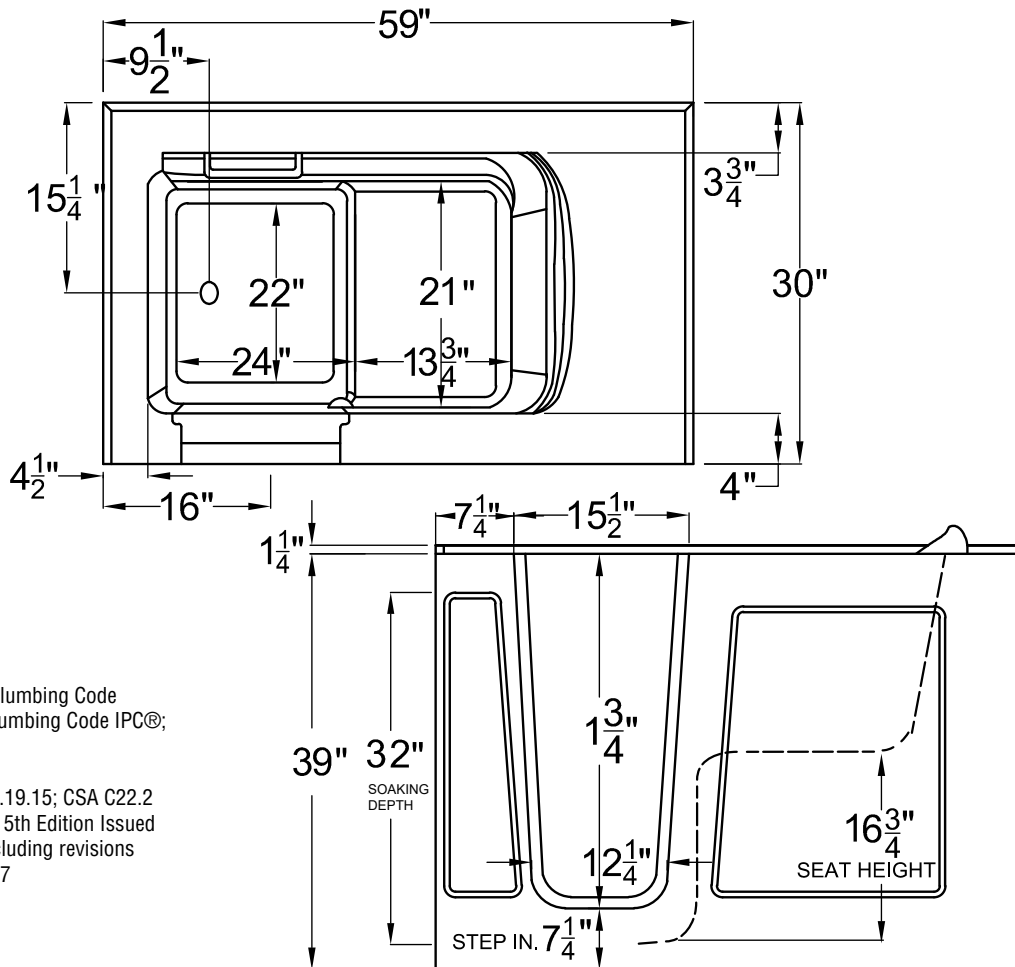
Available Therapy Systems

3060**S Non-Jetted Soaking
 3060**H Whirlpool Jetted
 3060**A Air Jetted
 3060**D Whirlpool & Air Jetted

Key Measurements (inches)

Overall Outer: 59 x 30 x 39
 Interior Width: 22.25
 Standing Area: 24 x 22
 Seat Width: 21
 Seat Height: 16.75
 Soaking Depth: 32
 Drain to Side Wall: 9.5
 Drain to Back Wall: 15.25
 Step-in Height: 7.25
 Door Clearance: 12.75
 Faucet Deck: 4.5
 Tile Flange: 1
 Extension Kit: n/a

It is vital that tub is completely level with all leveling feet touching the floor for the door, seal and drain to work properly.



Compliance: Uniform Plumbing Code
 UPC®;; International Plumbing Code IPC®;
 ADA

Standards: ASME A112.19.15; CSA C22.2
 No. 218.2-15; UL 1795, 5th Edition Issued
 September 02, 2016 including revisions
 through August 25, 2017

Certified: UPC, EGS

- **IMPORTANT!** TEST THE TUB'S DRAIN AND JETS (if any) BEFORE PERMANENT INSTALLATION!
- **INSPECT THE TUB WHEN RECEIVED!** Report any damages or missing parts within 5 business days of delivery date.
- Before ordering or installing, please consider future access to equipment.
- **Please measure tub on-site before building tub surrounding!**
- Jet, pump & blower locations are predetermined and cannot be changed.
- Tub door must remain closed when not in use.
- Please note that installer(s) must be certified or warranty will be voided.
- Measurements are subject to a +/- .5" variance and subject to change without notice. Measurements here in supersede all other published specs prior to publication date shown below.
- Inline heater (if included) is designed to maintain water temperature during operation. It will not heat cold water to desired bathing temperature.
- Product must be registered for warranty activation. See user manual or visit SWCORP.com/register for more information.

3060 WHEELCHAIR ACCESS 30" x 60"

Key Attributes

Walk-in Type: Wheelchair Accessible
 Material: Gel Coat
 Soaker Weight: 170 lbs
 Jetted Weight: 200 lbs
 Average Fill Capacity*: 80-90 gal
 *Estimated with occupant inside. May vary based on occupant's volume.

Required Electrical

Service 110v

Air Bath or Whirlpool..... 1x 15 amp GFCI
 Whirlpool w/ Inline Heater..... 1x 20 amp GFCI
 Whirlpool & Air Jetted..... 1x 20 amp GFCI
 Soaker..... n/a

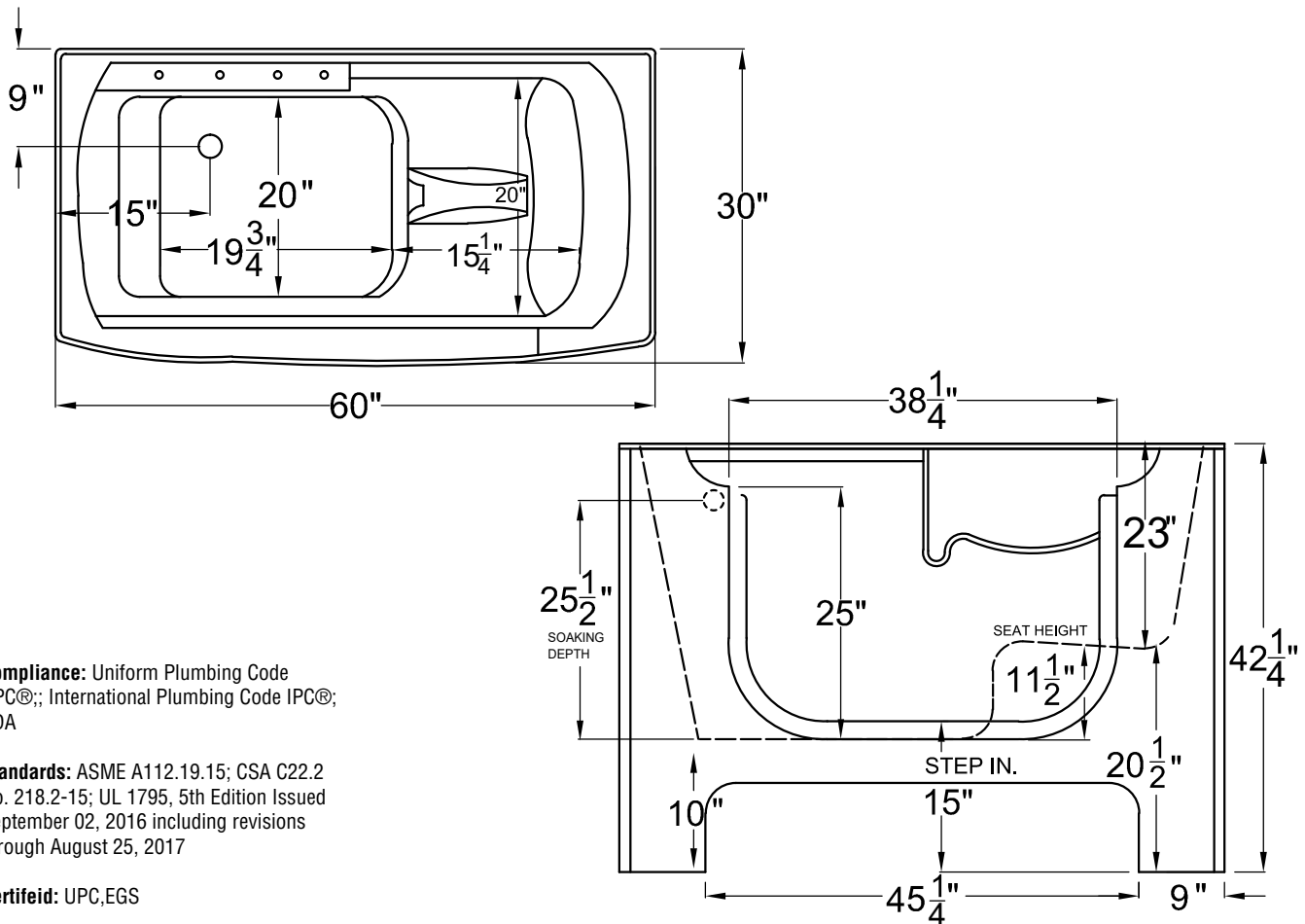
Available Therapy Systems

3060WCA**S Non-Jetted Soaking
 3060WCA**H..... Whirlpool Jetted
 3060WCA**A Air Jetted
 3060WCA**D..... Whirlpool & Air Jetted

Key Measurements (inches)

Overall Outer: 60 x 30 x 42.25
 Interior Width: 26
 Standing Area: 20 x 19.75
 Seat Width: 20
 Seat Height: 11.5
 Soaking Depth: 25.5
 Drain to Side Wall: 15
 Drain to Back Wall: 9
 Step-in Height: 13.5
 Door Clearance: n/a
 Faucet Deck: 5
 Tile Flange: n/a
 Extension Kit: n/a

It is vital that tub is completely level with all leveling feet touching the floor for the door, seal and drain to work properly.



Compliance: Uniform Plumbing Code
 UPC®; International Plumbing Code®;
 ADA

Standards: ASME A112.19.15; CSA C22.2
 No. 218.2-15; UL 1795, 5th Edition Issued
 September 02, 2016 including revisions
 through August 25, 2017

Certified: UPC, EGS

- **IMPORTANT!** TEST THE TUB'S DRAIN AND JETS (if any) BEFORE PERMANENT INSTALLATION!
- **INSPECT THE TUB WHEN RECEIVED!** Report any damages or missing parts within 5 business days of delivery date.
- Before ordering or installing, please consider future access to equipment.
- **Please measure tub on-site before building tub surrounding!**
- Jet, pump & blower locations are predetermined and cannot be changed.
- Tub door must remain closed when not in use.
- Please note that installer(s) must be certified or warranty will be voided.
- Measurements are subject to a +/- .5" variance and subject to change without notice. Measurements here in supersede all other published specs prior to publication date shown below.
- Inline heater (if included) is designed to maintain water temperature during operation. It will not heat cold water to desired bathing temperature.
- Product must be registered for warranty activation. See user manual or visit SWCORP.com/register for more information.

3140 WALK-IN BATHTUB

31" x 40"

Key Attributes

Walk-in Type: Walk-in
 Material: Acrylic
 Soaker Weight: 145 lbs
 Jetted Weight: 180 lbs
 Average Fill Capacity*: 45-55 gal
 *Estimated with occupant inside. May vary based on occupant's volume.

Required Electrical

Air Bath or Whirlpool..... 1x 15 amp GFCI
 Whirlpool w/ Inline Heater..... 1x 20 amp GFCI
 Whirlpool & Air Jetted..... 1x 20 amp GFCI
 Soaker..... n/a

Service 110v

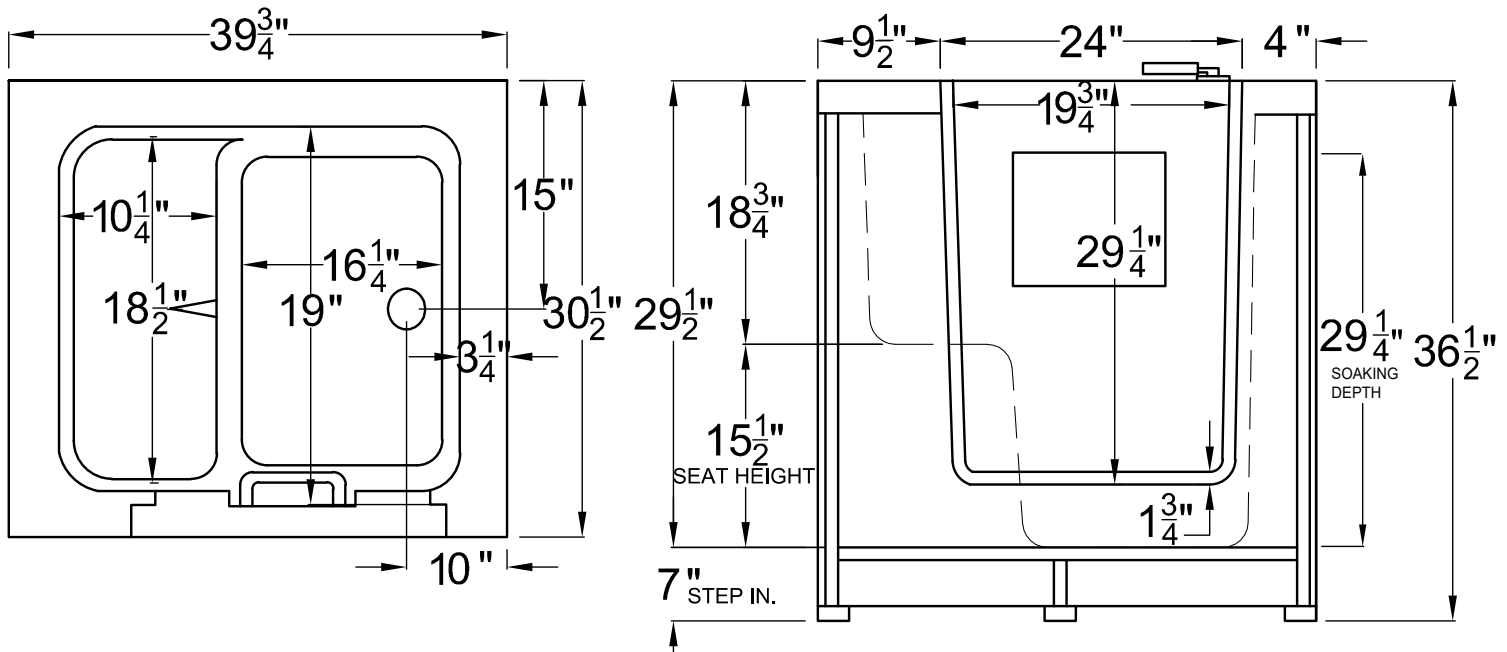
Available Therapy Systems

3140**S Non-Jetted Soaking
 3140**H Whirlpool Jetted
 3140**A Air Jetted
 3140**D Whirlpool & Air Jetted

Key Measurements (inches)

Overall Outer: 39.75 x 30.5 x 36.5
 Interior Width: 19
 Standing Area: 19 x 16.25
 Seat Width: 18.5
 Seat Height: 15.5
 Soaking Depth: 29.25
 Drain to Side Wall: 10
 Drain to Back Wall: 15
 Step-in Height: 7
 Door Clearance: n/a
 Faucet Deck: 3.25
 Tile Flange: 1
 Extension Kit: n/a

It is vital that tub is completely level with all leveling feet touching the floor for the door, seal and drain to work properly.



Compliance: Uniform Plumbing Code UPC®; International Plumbing Code IPC®; ADA
Standards: ASME A112.19.15; CSA C22.2 No. 218.2-15; UL 1795, 5th Edition Issued September 02, 2016 including revisions through August 25, 2017
Certified: UPC, EGS

- **IMPORTANT!** TEST THE TUB'S DRAIN AND JETS (if any) BEFORE PERMANENT INSTALLATION!
- **INSPECT THE TUB WHEN RECEIVED!** Report any damages or missing parts within 5 business days of delivery date.
- Before ordering or installing, please consider future access to equipment.
- **Please measure tub on-site before building tub surrounding!**
- Jet, pump & blower locations are predetermined and cannot be changed.
- Tub door must remain closed when not in use.
- Please note that installer(s) must be certified or warranty will be voided.
- Measurements are subject to a +/- .5" variance and subject to change without notice. Measurements here in supersede all other published specs prior to publication date shown below.
- Inline heater (if included) is designed to maintain water temperature during operation. It will not heat cold water to desired bathing temperature.
- Product must be registered for warranty activation. See user manual or visit SWCORP.com/register for more information.

3238 WALK-IN BATHTUB 32" x 38"

Key Attributes

Walk-in Type: Walk-in
 Material: Acrylic
 Soaker Weight: 120 lbs
 Jetted Weight: 160 lbs
 Average Fill Capacity*: 45-55 gal
 *Estimated with occupant inside. May vary based on occupant's volume.

Required Electrical

Service 110v

Air Bath or Whirlpool..... 1x 15 amp GFCI
 Whirlpool w/ Inline Heater..... 1x 20 amp GFCI
 Whirlpool & Air Jetted..... 1x 20 amp GFCI
 Soaker..... n/a

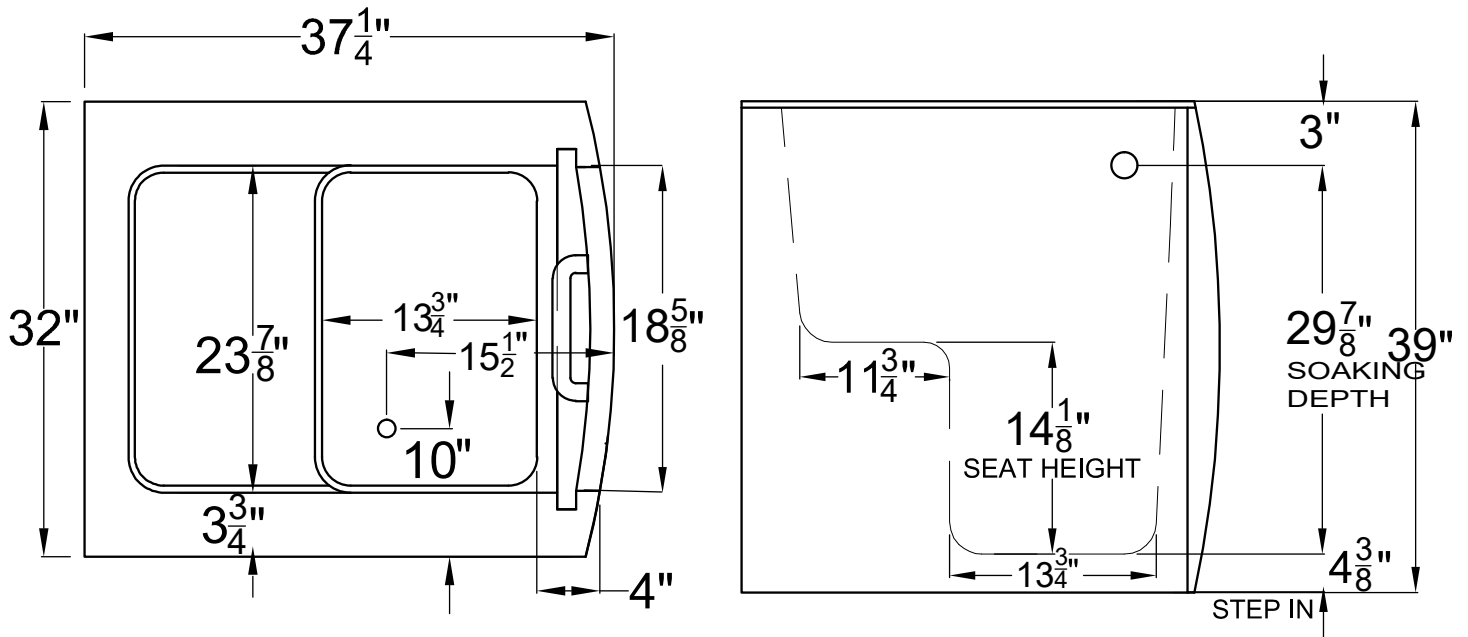
Available Therapy Systems

3238**S Non-Jetted Soaking
 3238**H Whirlpool Jetted
 3238**A Air Jetted
 3238**D Whirlpool & Air Jetted

Key Measurements (inches)

Overall Outer: 37.25 x 32 x 39
 Interior Width: 24.5
 Standing Area: 15.5 x 13.75
 Seat Width: 23.875
 Seat Height: 16.125
 Soaking Depth: 29.875
 Drain to Side Wall: 10
 Drain to Back Wall: 15.5
 Step-in Height: 6.375
 Door Clearance: n/a
 Faucet Deck: 3.75
 Tile Flange: n/a
 Extension Kit: n/a

It is vital that tub is completely level with all leveling feet touching the floor for the door, seal and drain to work properly.



Compliance: Uniform Plumbing Code UPC®; International Plumbing Code IPC®; ADA
Standards: ASME A112.19.15; CSA C22.2 No. 218.2-15; UL 1795, 5th Edition Issued September 02, 2016 including revisions through August 25, 2017
Certified: UPC, EGS

- **IMPORTANT!** TEST THE TUB'S DRAIN AND JETS (if any) BEFORE PERMANENT INSTALLATION!
- **INSPECT THE TUB WHEN RECEIVED!** Report any damages or missing parts within 5 business days of delivery date.
- Before ordering or installing, please consider future access to equipment.
- **Please measure tub on-site before building tub surrounding!**
- Jet, pump & blower locations are predetermined and cannot be changed.
- Tub door must remain closed when not in use.
- Please note that installer(s) must be certified or warranty will be voided.
- Measurements are subject to a +/- .5" variance and subject to change without notice. Measurements here in supersede all other published specs prior to publication date shown below.
- Inline heater (if included) is designed to maintain water temperature during operation. It will not heat cold water to desired bathing temperature.
- Product must be registered for warranty activation. See user manual or visit SWCORP.com/register for more information.

3260 WALK-IN BATHTUB 32" x 60"

Key Attributes

Walk-in Type: Walk-in
 Material: Acrylic
 Soaker Weight: 140 lbs
 Jetted Weight: 180 lbs
 Average Fill Capacity*: 60-70 gal
 *Estimated with occupant inside. May vary based on occupant's volume.

Required Electrical

Service 110v

Air Bath or Whirlpool..... 1x 15 amp GFCI
 Whirlpool w/ Inline Heater..... 1x 20 amp GFCI
 Whirlpool & Air Jetted..... 1x 20 amp GFCI
 Soaker..... n/a

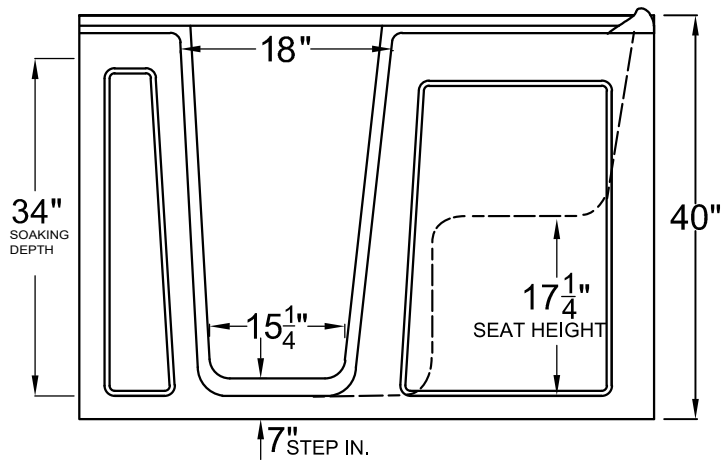
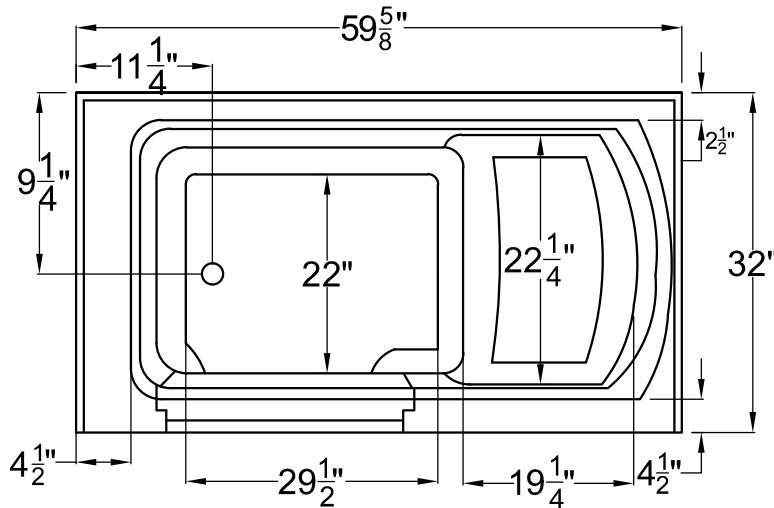
Available Therapy Systems

3260**S Non-Jetted Soaking
 3260**H Whirlpool Jetted
 3260**A Air Jetted
 3260**D Whirlpool & Air Jetted

Key Measurements (inches)

Overall Outer: 59.625 x 32 x 40
 Interior Width: 25
 Standing Area: 29.5 x 22
 Seat Width: 22.25
 Seat Height: 17.25
 Soaking Depth: 34
 Drain to Side Wall: 11.25
 Drain to Back Wall: 9.25
 Step-in Height: 7
 Door Clearance: 14.5
 Faucet Deck: 4.5
 Tile Flange: 1
 Extension Kit: n/a

It is vital that tub is completely level with all leveling feet touching the floor for the door, seal and drain to work properly.



Compliance: Uniform Plumbing Code
 UPC®; International Plumbing Code IPC®;
 ADA

Standards: ASME A112.19.15; CSA C22.2
 No. 218.2-15; UL 1795, 5th Edition Issued
 September 02, 2016 including revisions
 through August 25, 2017

Certified: UPC, EGS

- **IMPORTANT!** TEST THE TUB'S DRAIN AND JETS (if any) BEFORE PERMANENT INSTALLATION!
- **INSPECT THE TUB WHEN RECEIVED!** Report any damages or missing parts within 5 business days of delivery date.
- Before ordering or installing, please consider future access to equipment.
- **Please measure tub on-site before building tub surrounding!**
- Jet, pump & blower locations are predetermined and cannot be changed.
- Tub door must remain closed when not in use.
- Please note that installer(s) must be certified or warranty will be voided.
- Measurements are subject to a +/- .5" variance and subject to change without notice. Measurements here in supersede all other published specs prior to publication date shown below.
- Inline heater (if included) is designed to maintain water temperature during operation. It will not heat cold water to desired bathing temperature.
- Product must be registered for warranty activation. See user manual or visit SWCORP.com/register for more information.

3660 WALK-IN BATHTUB

36" x 60"

Key Attributes

Walk-in Type: Walk-in
 Material: Gel Coat
 Soaker Weight: 140 lbs
 Jetted Weight: 180 lbs
 Average Fill Capacity*: 70-80 gal
 *Estimated with occupant inside. May vary based on occupant's volume.

Required Electrical

Air Bath or Whirlpool..... 1x 15 amp GFCI
 Whirlpool w/ Inline Heater..... 1x 20 amp GFCI
 Whirlpool & Air Jetted..... 1x 20 amp GFCI
 Soaker..... n/a

Service 110v

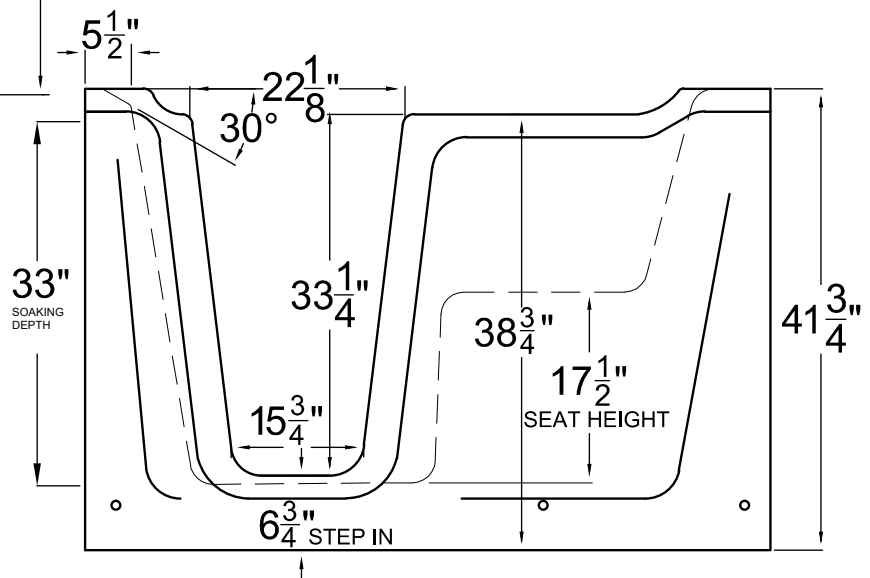
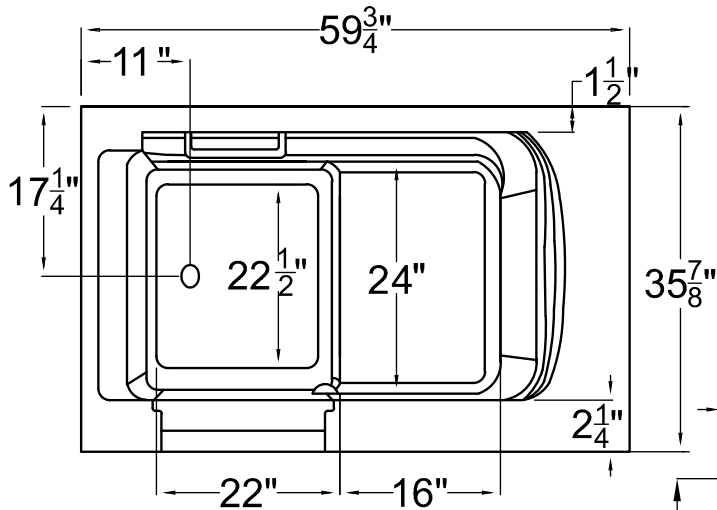
Available Therapy Systems

3660**S Non-Jetted Soaking
 3660**H Whirlpool Jetted
 3660**A Air Jetted
 3660**D Whirlpool & Air Jetted

Key Measurements (inches)

Overall Outer: 59.75 x 35.875 x 41.75
 Interior Width: 32.125
 Standing Area: 22.5 x 22
 Seat Width: 24
 Seat Height: 18
 Soaking Depth: 33
 Drain to Side Wall: 11
 Drain to Back Wall: 17.25
 Step-in Height: 6.75
 Door Clearance: 15.375
 Faucet Deck: 5.5
 Tile Flange: 1
 Extension Kit: n/a

It is vital that tub is completely level with all leveling feet touching the floor for the door, seal and drain to work properly.



Compliance: Uniform Plumbing Code
 UPC®; International Plumbing Code IPC®;
 ADA

Standards: ASME A112.19.15; CSA C22.2
 No. 218.2-15; UL 1795, 5th Edition Issued
 September 02, 2016 including revisions
 through August 25, 2017

Certified: UPC, EGS

- **IMPORTANT!** TEST THE TUB'S DRAIN AND JETS (if any) BEFORE PERMANENT INSTALLATION!
- **INSPECT THE TUB WHEN RECEIVED!** Report any damages or missing parts within 5 business days of delivery date.
- Before ordering or installing, please consider future access to equipment.
- **Please measure tub on-site before building tub surrounding!**
- Jet, pump & blower locations are predetermined and cannot be changed.
- Tub door must remain closed when not in use.

- Please note that installer(s) must be certified or warranty will be voided.
- Measurements are subject to a +/- .5" variance and subject to change without notice. Measurements here in supersede all other published specs prior to publication date shown below.
- Inline heater (if included) is designed to maintain water temperature during operation. It will not heat cold water to desired bathing temperature.
- Product must be registered for warranty activation. See user manual or visit SWCORP.com/register for more information.